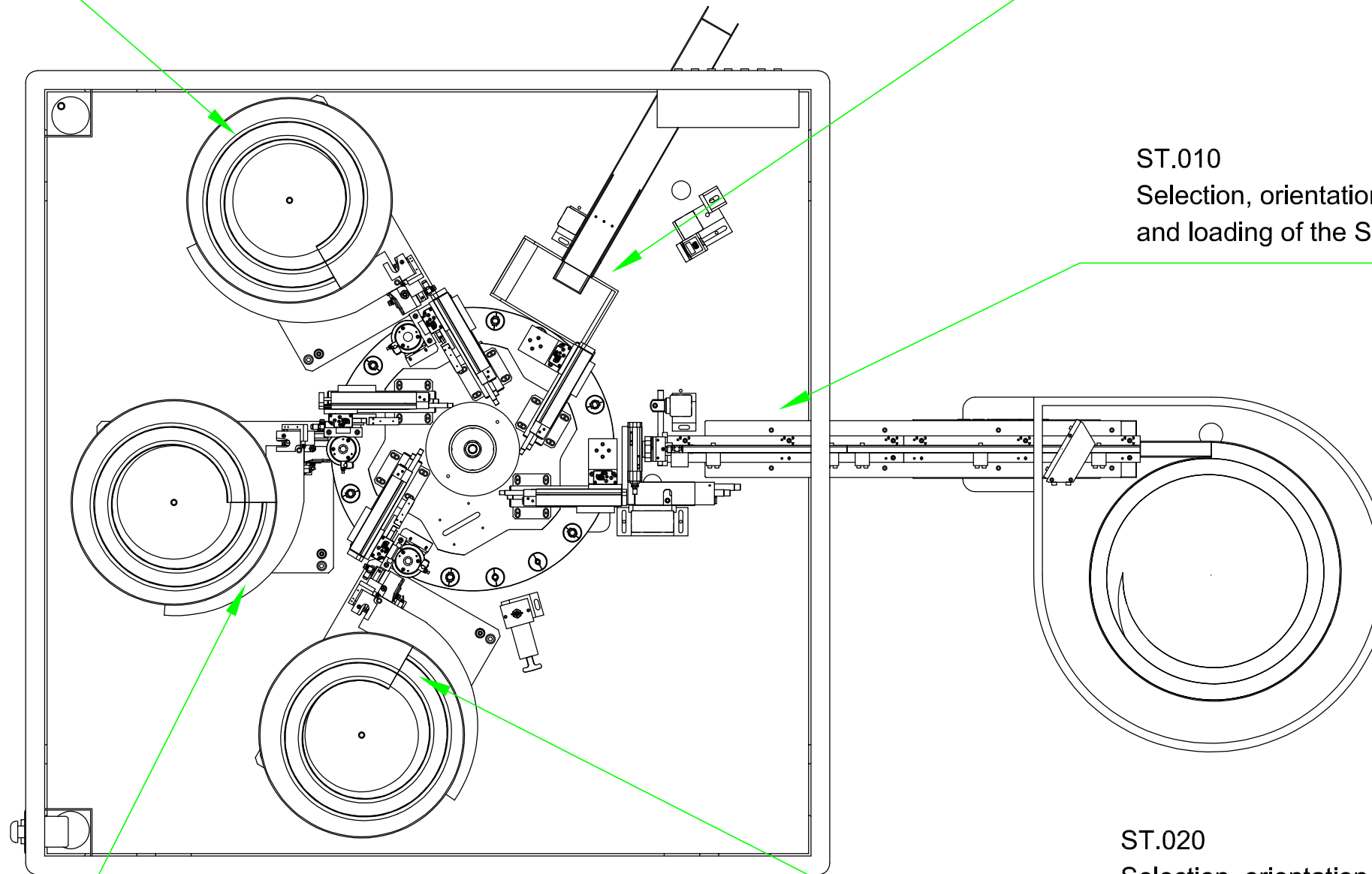


ST.040
Selection, orientation, singling
and loading of Nr. 02 O'RINGS
for the spindle of ball valves
with size 1 ½" and 2"

ST.050
Vision system for checking the correct assembly;
unloading of the finished pieces,
with bad parts separation



ST.010
Selection, orientation, singling
and loading of the SPINDLE

ST.030
Selection, orientation, singling
and loading of Nr. 02 O'RINGS
for the spindle of ball valves
with size 1" and 1 ¼"

ST.020
Selection, orientation, singling
and loading of Nr. 02 O'RINGS
for the spindle of ball valves
with size ½" and ¾"

SPINDLE FOR BALL VALVES (of SIZE ½", ¾", 1", 1"¼, 1"½ and 2") AUTOMATIC ASSEMBLY MACHINE