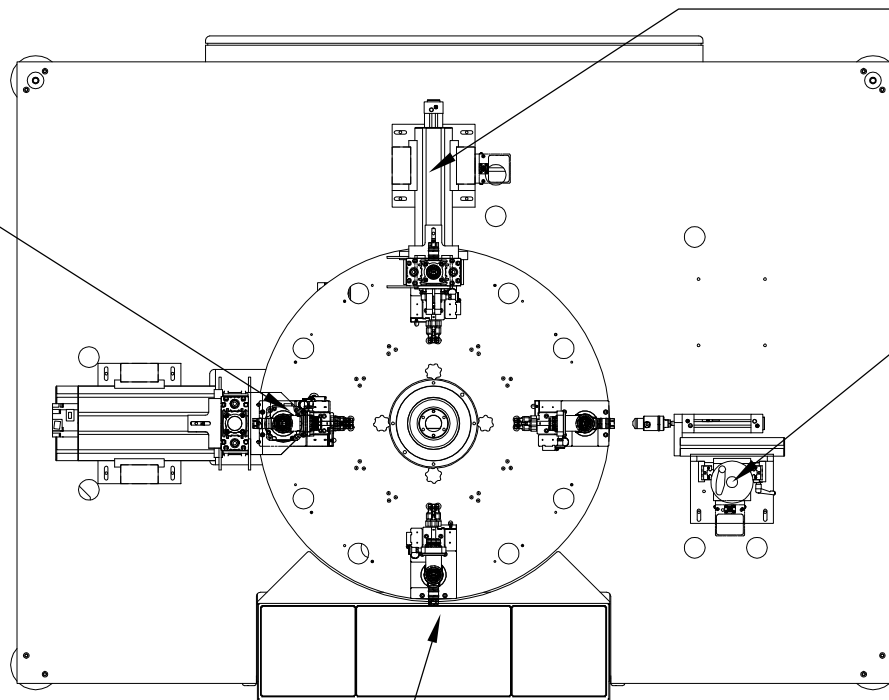


ST.020
NUT AND HEADWORK SCREWING

ST.030
CARTRIDGE CHAMBERS LEAKAGE TEST AND OPEN
CARTRIDGE AIR TESTING

ST.040
LEAKAGE TESTING



ST.010
BODY, LOADING, HEADWORK PRE-ASSEMBLING, MIXING
CARTRIDGE LOADING AND NUT PRE-SCREWING

ASSEMBLING AND TESTING MACHINE FOR KITCHEN MIXER FAUCETS